



extra technology

just optimise IT

CA Workload Automation AE & Automation Anywhere

- Commonly known as AutoSys.
- Well established (Has been around for many years).
- Uses job definitions to automate tasks.
- Requires traditional means for system interaction (command line, API etc).



What is Automation Anywhere anyway?

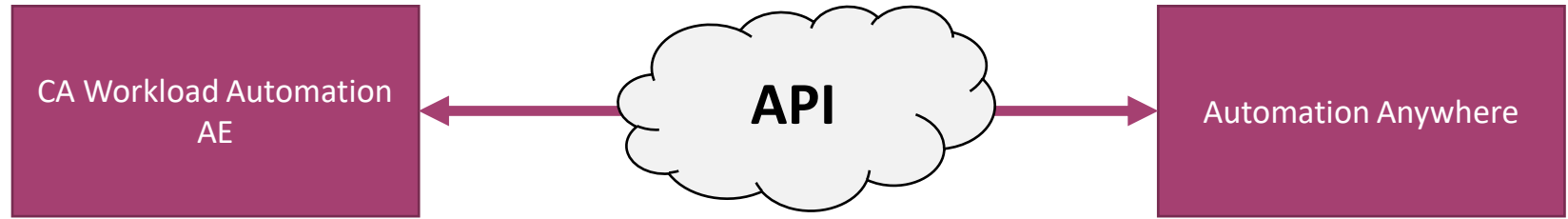
- Market Leading Robotic Process Automation (RPA) Tool.
- Emerging technology in a competitive market.
- Replicates actions performed by a user.
- Interacts with applications via object properties or identifying graphical properties.
- Provides solution to automate systems which would not have been achievable via traditional means.





Automation Anywhere Introduction







Messaging
Protocol
(XML)



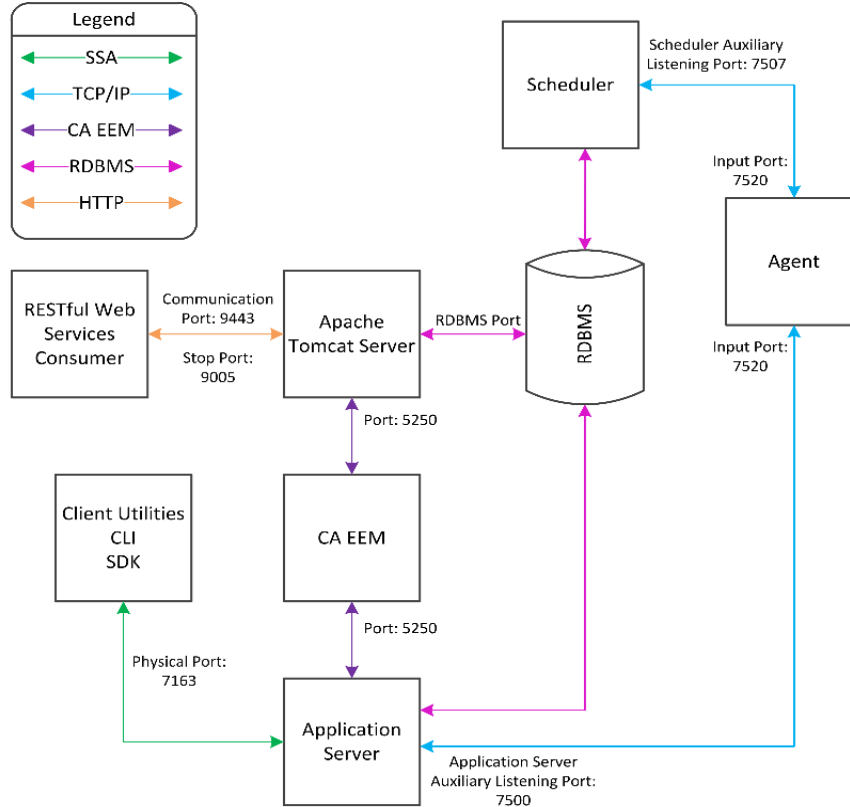
Software architecture
for distributed
hypermedia systems



- Custom Install Option
- Provides monitoring and control information
- Retrieve job status
- Web Services transactions use HTTPS (SSL)
- Authentication performed using Tomcat Java Authentication and Authorization Service (JAAS) with CA EEM security
- Users must be members of WorkloadAutomationAEWebService group



CA Workload Automation AE – REST



Automation Anywhere & CA Workload Automation AE Demo



What about controlling AA Robots via AutoSys?

- Yes but...

